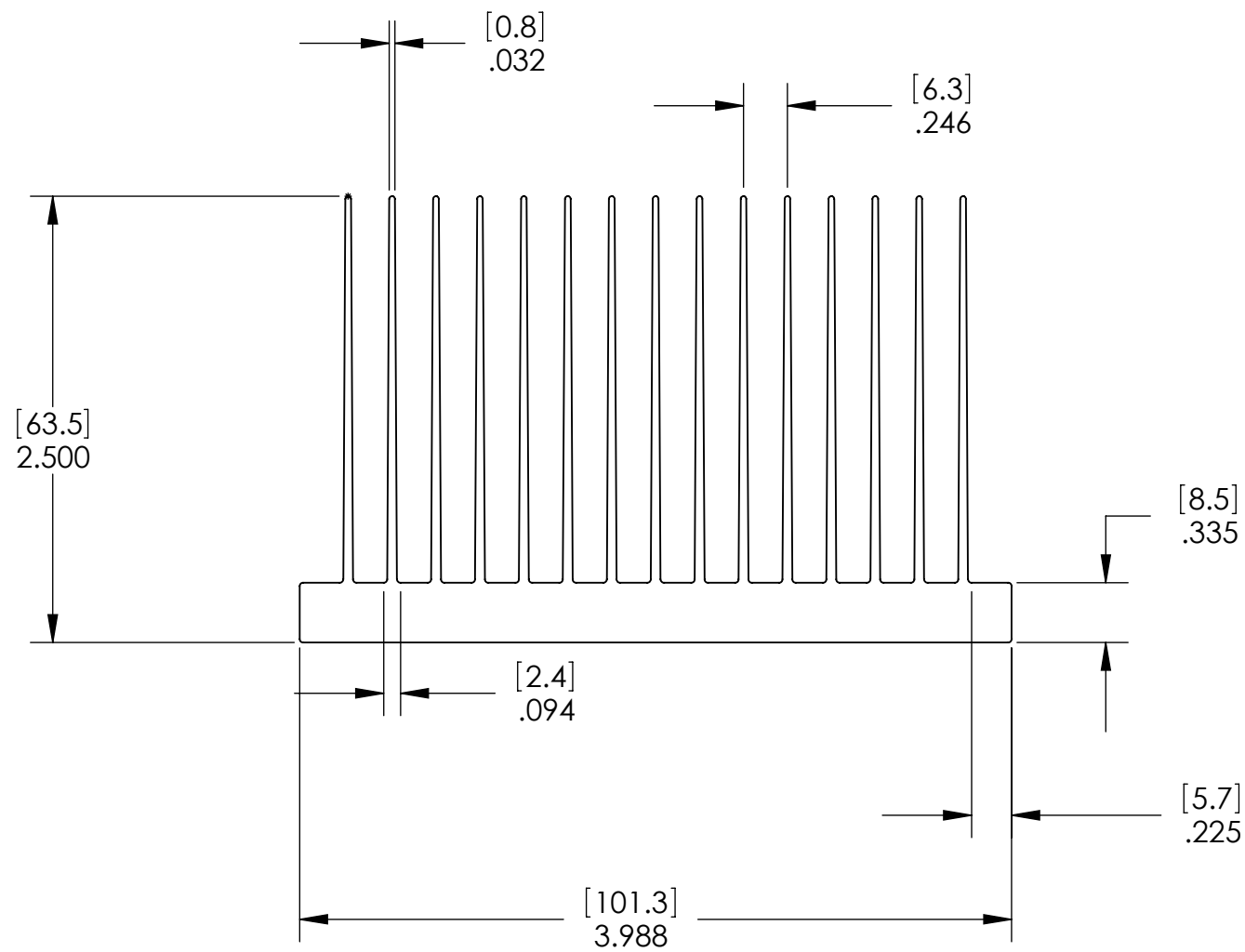


8	7	6	5	4	3	2	1
<b>AVAILABLE ACCESSORIES</b> - DOUBLE SIDED TAPES - EPOXY ATTACHMENT - THERMAL GREASE - THERMAL INTERFACE MATERIALS - ATTACHMENT CLIP & ANCHORS	<b>FINISHES</b> - BLACK ANODIZE (OTHER COLORS ON REQUEST) - CHROMATE (CLEAR & GOLD) - CLEAN OR MILL FINISH - PAINTING AND POWDERCOAT	<b>OPTIONS</b> - CROSS CUT - CUSTOM MACHINING - PART MARKING - BAR CODING	<b>SIMULATION AND ANALYSIS</b> - THERMAL ANALYSIS - CFD MODELING FOR SYSTEM AND COMPONENT LEVELS - PARAMETRIC MODELING	<b>MANUFACTURING</b> - CNC MACHINING - SHEET METAL - PROTOTYPE & PRODUCTION - CUSTOM EXTRUSION PROFILES AND STAMPINGS	<b>WEB SITE LINKS</b> <a href="http://www.heatsinks.com">HTTP://www.heatsinks.com</a> <a href="http://www.allaxismachining.com">HTTP://www.allaxismachining.com</a>	<b>THERMAL PERFORMANCE</b>	



**ROHS Compliant Certification - EU Directive 2002/95/EC**

Material Name	Maximum Concentration by Weight
Cadmium and its Compounds	< 0.01%
Mercury and its Compounds	< 0.01%
Lead and its Compounds	< 0.01%
Hexavalent Chromium CR+6 and its compounds	< 0.01%
Polybrominated Bi-phenyls (PBB)	< 0.01%
Polybrominated Diphenyl Ethers/Oxides (PBDE & PBDO)	< 0.01%
Polychlorinated Biphenyls	0%
Polychlorinated Terphenyls	0%
Abestos (All Forms)	0%



**Uncontrolled Drawing**

**PROPRIETARY AND CONFIDENTIAL**

THE INFORMATION CONTAINED IN THIS DRAWING IS COPYRIGHTED 2007 AND IS THE SOLE PROPERTY OF ALL AXIS MACHINING ANY REPRODUCTION IN PART OR AS A WHOLE WITHOUT THE WRITTEN PERMISSION OF ALL AXIS MACHINING IS PROHIBITED.

DIMENSIONS AND TOLERANCES  
EXTRUDED FEATURES PER ALUMINUM  
INDUSTRY STANDARDS

[www.heatsinks.com](http://www.heatsinks.com)  
Email: [gkuzmin@heatsinks.com](mailto:gkuzmin@heatsinks.com)  
Phone: 972 312 8609 Fax: 972 312 8617



COMMENTS:

**CAD FILES AND DYNAMIC THERMAL MODELS ARE AVAILABLE FOR DOWNLOAD FROM WEBSITE**

Part Number:

**E2103**

- Notes:  
 1. Finish - None  
 2. Material: Extrusions: 6063 Aluminum;  
 3. Physical Properties: Mass = 3.21 lbs/ft 4.8 kg/m  
 Perimeter = 72.8 inches; 184 cm  
 4. All Dimensions Shown on Print are for Reference Only, Contact Factory for any Critical to Function Tolerances such as flatness, height, width, diameter, distance, etc.